

FAVORIT 40620

Dishwasher

User Instructions



Dear customer,

Please read these user instructions carefully.

Above all please observe the safety instructions on the first few pages of these user instructions! Please keep these user instructions for later reference. Pass them on to any subsequent owner of the appliance.



The warning triangle and/or specific words (**Warning!**, **Caution!**, **Important!**) are used to highlight instructions that are important for your safety or for the function of the appliance. It is imperative that these instructions are observed.



This symbol or numbered instruction steps lead you step for step through the operation of the appliance.



Next to this symbol you receive additional information and practical tips on using the appliance.



Tips and instructions for the economical and environmentally conscious use of the appliance are marked with a clover leaf.

In the event of a malfunction, these operating instructions contain information on how to rectify faults yourself, see the "What to do, if..." section.

If these instructions are insufficient, please contact your nearest customer service centre.

In the case of technical problems, our customer service organisation is available to provide you with assistance at any time (you will find addresses and telephone numbers in the "Customer Service Centres" section).

In this respect please read the "Service" note on the rear of these user instructions.



Your dishwasher is fitted with the new "PULSE WASH" wash system. With this wash system, the motor speed and spray pressure are varied during the wash programme to improve the cleaning of the dishes. It is for this reason that the noise level changes during the wash programme.

Printed on paper manufactured with environmentally sound processes. He who thinks ecologically acts accordingly ...

CONTENTS

Operating Instructions	5
Safety Instructions	5
Disposal	7
Economical and Ecological Dishwashing	7
Appliance Features and Control Panel	8
Control panel	9
Prior to using for the first time	10
Water softener	10
Setting the water softener	11
Special salt for the water softener	12
Setting the amount of special salt to be added	12
Adding special salt	13
Rinse aid	14
Activating/deactivating the inflow of rinse aid	14
Adding rinse aid	15
Adjusting Rinse Aid Dosing	16
In Daily Use	17
Loading cutlery and dishes	17
Loading Cutlery	18
Loading Pans, Frying Pans and Large Plates	20
Loading Cups, Glasses and Coffee Services	22
Adjusting the Height of the Upper Basket	23
Filling with Detergent	24
Use of "3 in 1"/ Combi Detergent Tablets	25
Selecting the Wash Programme (Programme Table)	26
Starting a wash programme	27
Changing / interrupting / cancelling a wash programme	27
Setting or changing the start delay	28
Load Sensing – Sensor Logic	29
Switching Off the Dishwasher	29
Emptying the Dishwasher	29
Care and Cleaning	30
Cleaning the Filter	30

What to do, when	32
...Error messages are displayed.	32
...problems occur during use of the dishwasher.	34
...the wash results are not satisfactory.	34
Technical Data	35
Notes for Test Institutes	36
Installation and Connection Instructions	37
Installing the Dishwasher	37
Built-In Dishwasher	37
Free-Standing Appliances	37
Connecting the Dishwasher	39
Water Connection	39
Permitted water pressure	39
Connect the inlet hose	39
Water drain	41
Leak Prevention System	42
Electrical connection	42
Connections	43
Service Departments	44
Guarantee Conditions	46
Service	47

OPERATING INSTRUCTIONS



Safety Instructions

The safety aspects of AEG electrical appliances comply with accepted technical standards and the German Appliance Safety Law. Nevertheless, as a manufacturer we consider it our obligation to make you aware of the following safety information:

Installation, Connection and Placing into Operation

- The dishwasher may only be transported upright.
- Check the dishwasher for transport damage. Do not in any circumstances connect an appliance that is damaged. In the case of damage, please contact your supplier.
- Prior to placing the appliance in operation, ensure that the nominal voltage and type of supply on the rating plate match that of the supply where the appliance is to be installed. The fuse rating is also to be found on the rating plate.
- For information on how to correctly install and connect up your dishwasher, please read the „Installation“ section. Multiway plugs / connectors and extension cables must not be used. This could constitute a safety hazard.

Child Safety

- Children often do not recognise the hazards associated with the use of electrical appliances. It is therefore important that you ensure children are adequately supervised and that you do not allow children to play with the dishwasher – there is a risk that children can shut themselves inside the appliance (risk of suffocation!).
- Packaging materials (e.g. films, styrofoam) can be dangerous for children. Risk of suffocation! Keep packaging away from children.
- Detergents can cause burns to the eyes, mouth, and throat, or even cause choking! Please observe the manufacturer's safety instructions for cleaners and detergents.
- The water in your dishwasher is not suitable for drinking. If there are still remnants of detergent in the appliance, there is a risk of burns!
- When disposing of the dishwasher: unplug from the mains, cut off and dispose of the mains cable. Break the door lock so that the door no longer shuts.

General Safety

- Repairs to the dishwasher are only to be carried out by qualified service engineers. Improper repairs can give rise to significant hazards for the user. If your appliance needs repairing, please contact customer service or your dealer.
- Never place the dishwasher in operation if the mains cable, water inlet or drain hose is damaged; or the control panel, work top or plinth area is damaged such that the inside of the appliance is freely accessible.
- If the mains lead is damaged, or is to be replaced for a longer lead, the cable (obtainable from AEG customer service) must be replaced by a service engineer authorised by AEG.
- Never unplug the appliance by pulling on the cable, always pull the plug.
- Additions or modifications to the dishwasher are not permitted for safety reasons.
- Ensure that the door of the dishwasher is always closed when it is not being loaded or unloaded. In this way you will avoid anybody tripping over the open door and hurting themselves.
- Sharp knives and other item of cutlery with sharp edges must be laid in the upper rack or placed in the cutlery rack with the point facing downwards.

Correct Use

- Only wash household dishes using the dishwasher. If the appliance is used for other purposes, or is used incorrectly, the manufacturer cannot accept any liability for any damage caused.
- Prior to use, ensure that the manufacturers of the special salt, detergent, and rinse aid employed specifically permit the usage of their products in household dishwashers.
- Do not put any solvents in the dishwasher. There is a risk of an explosion!
- The anti-flood system provides dependable protection against damage due to leaks. For this system to function correctly, the following preconditions must be met:
 - The appliance must remain connected to the mains even when it is switched off.
 - The dishwasher must be correctly installed.

- Always shut off the water supply at the tap when the dishwasher is not to be used for longer periods, e.g. when you are away on holiday.
- Do not sit or stand on the open door, the appliance may tip over.
- In the event of a fault, first close the tap, then switch off the appliance and unplug it from the mains. If the appliance is permanently wired to the mains: switch off the fuse(s) or unscrew them.



Disposal

Disposing of the Packaging Material

Dispose of the dishwasher packaging material correctly. All the packaging materials used are harmless to the environment and can be recycled.

- Plastic parts are marked with standard international abbreviations:
 - >PE< for polyethylene, e.g. sheet wrapping material
 - >PS< for polystyrene, e.g. padding material (always CFC-free)
 - >POM< for polyoxymethylene, e.g. plastic clips
- Cardboard packaging is manufactured from recycled paper and should be deposited in the waste paper collection for recycling.

Disposal of old appliances

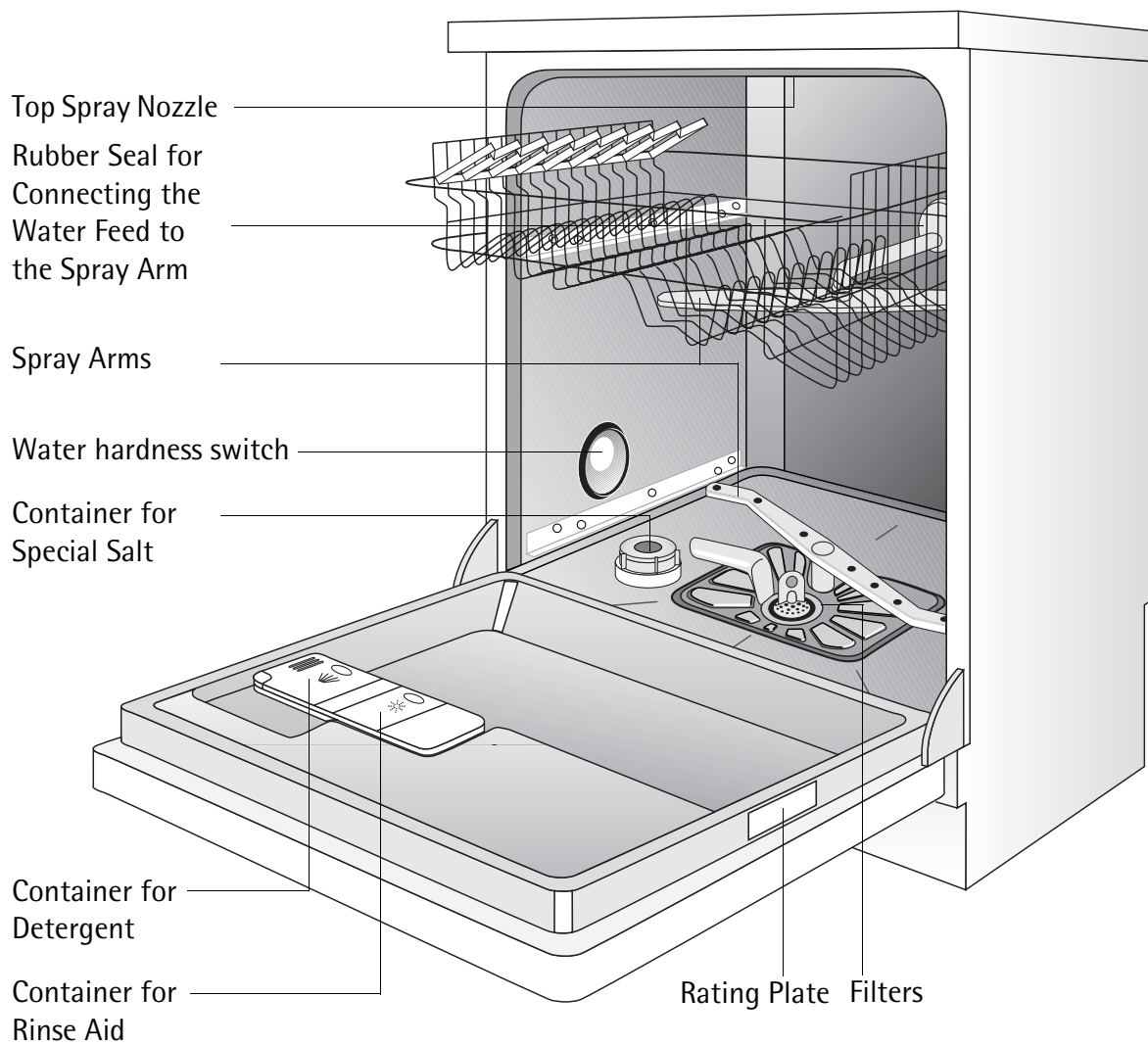
As and when you cease to use your dishwasher, please take it to a recycling centre or to your dealer who will, for a small contribution to the costs, dispose of it for you.



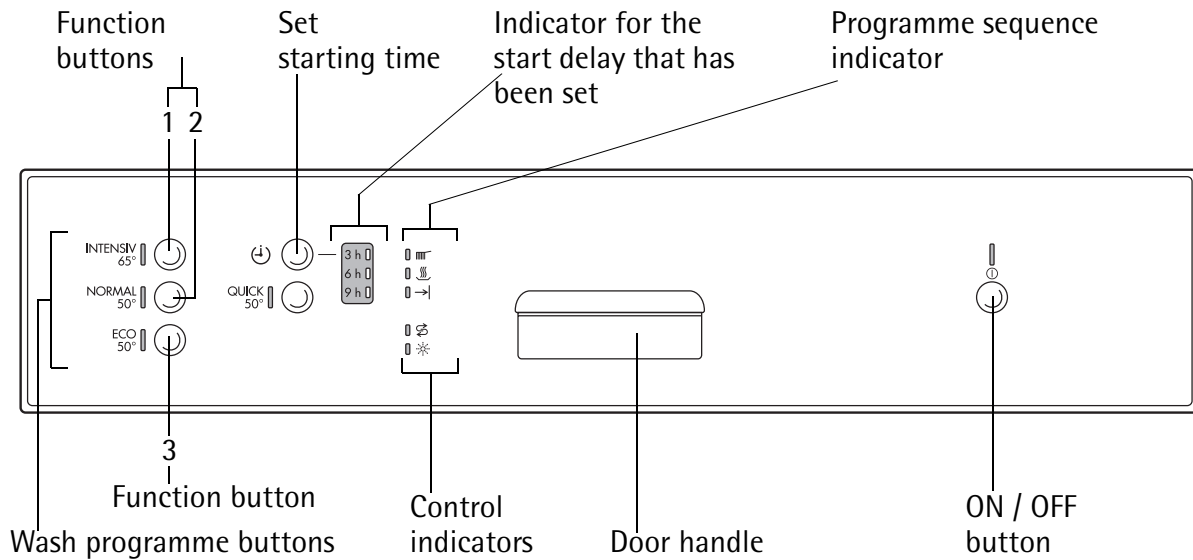
Economical and Ecological Dishwashing

- Only connect the dishwasher to the hot water supply if your hot water is not electrically heated.
- Ensure that the water softener is correctly adjusted.
- Do not pre-rinse dishes under running water.
- Select the wash programme to suit the nature and degree of the soiling on the dishes.
- Do not use more detergent, special salt or rinse aid than is recommended in these operating instructions and by the manufacturer of the respective product.

Appliance Features and Control Panel



Control panel




Function buttons: In addition to the wash programme imprinted on the buttons, the following functions can also be set using these buttons:

Function button 1	Setting the water softener
Function button 2	Activating/deactivating rinse aid inflow
Function button 3	- not programmed -

Programme progress display: The current stage of the programme is always shown in the programme progress display.

The indicators have the following meanings:

	Refill with special salt
	Refill with rinse-aid



The control indicators are never illuminated while a wash programme is running.

Prior to using for the first time

Prior to using for the first time, remove all the clips with which the dish racks are secured for transport.

Then perform the following steps:

1. Adjust the water softener
2. Fill with Special Salt for the Water Softener
3. Fill with Rinse Aid

i Special salt and rinse aid must not be added if you use 3-in-1 detergent tablets.

Water softener

To avoid scale deposits on the dishes and in the dishwasher, the dishes must be washed with soft water, i.e. water with a low lime content. The dishwasher therefore has a built-in water softener, in which tap water with a hardness of 4°d (German degree) and harder is softened with the aid of special salt.

i Your water supplier will be able to inform you about the hardness and hardness range of the water in your area. The water softener can be set manually using the water hardness switch; it can also be set electronically using the buttons on the control panel.

Water hardness			Adjusting the hardness setting		Number of flashes	
in °d ¹	in mmol/l ²	Range	Manually	Electronically		
51 - 70	9,0 - 12,5	IV	1	10 ³	10	
43 - 50	7,6 - 8,9			9	9	
37 - 42	6,5 - 7,5			8	8	
29 - 36	5,1 - 6,4			7	7	
23 - 28	4,0 - 5,0			6	6	
19 - 22	3,3 - 3,9	III	0*	5	5	
15 - 18	2,6 - 3,2			4*	4	
11 - 14	1,9 - 2,5	II		3	3	
4 - 10	0,7 - 1,8	I/II		2	2	
under 4	under 0.7	I		1	no salt necessary	1

- 1) (°d) German degree, measure of the hardness of water
- 2) [mmol/l] millimol per litre, international unit for the hardness of water
- 3) On this setting the length of the wash programme may be slightly longer.
- *) factory setting

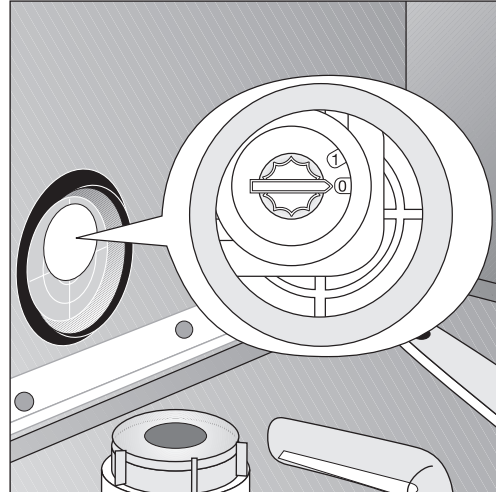
Setting the water softener

Using the table as a guide, adjust the water softener to that which corresponds to the hardness of the water in your area:

 The dishwasher must be switched off.


Setting manually:

1. Open the dishwasher door.
2. Remove the lower basket from the dishwasher.
3. Turn the hardness range switch to 0 or 1 (see table).
4. Replace the lower basket.



Setting electronically:

1. Press the ON/OFF button.
The ON/OFF button's LED will illuminate.

 If other indicators are also illuminated, this means that a wash programme has been activated. The wash programme must be deselected (RESET):

Press function buttons **2** and **3** simultaneously for approx. 2 seconds. All other indicators will go out.

2. Press function buttons **2** and **3** simultaneously and keep them pressed.
The LED indicators for function buttons 1 to 3 will flash.
3. Press function button **1**.
The LED indicator for function button **1** will flash.
The LED indicator for the end of the wash programme will flash simultaneously:
 - The number of times that the LED indicator for the end of the wash programme flashes corresponds to the hardness setting.
 - This sequence of flashes is repeated many times, with a 3 second pause in between.
4. Pressing function button **1** increases the hardness setting by 1. (Exception: hardness setting 1 follows hardness setting 10).
5. When the hardness setting is correct, press the ON/OFF button.
The hardness setting is now saved.

Special salt for the water softener

i If the water hardness in your area is less than 4 °d, then the water in your dishwasher does not need to be softened and you do not need to use special salt or salt substitute.

Water can be softened in one of two ways:

- If you are using dishwasher detergent that already contains salt substitute, the detergent only is put into the detergent compartment.
 - In this case the water softener must **manually be set to 0 and electronically to 1** to ensure that no special salt is added.
- If you are using dishwasher detergent and special salt separately, the special salt is to be put into the salt supply container.
 - In this case the water softener must **manually be set to 0 and electronically to between 2 and 10** (depending on the water hardness in your area) to ensure that the special salt is taken from the detergent container only.



Use only special salt intended for dishwashers. Never fill the salt supply container with different types of salt (e.g. cooking salt) or detergent. This would destroy the water softener. Prior to filling with salt, please check each time that you really do have a packet of special salt in your hand.

Setting the amount of special salt to be added

i Some appliances are equipped with an additional **3 in 1** function. If you use 3-in-1 dishwashing tablets and select the **3 in 1** function together with the dishwashing cycle, the inflow of special salt does not have to be deactivated (see "**3 in 1** function").


1. Set the water softener manually and electronically to the desired water hardness:


Manual setting	Electronic setting	Number of flashes	Addition of special salt
0	1	1	Do not add special salt.
0 - 1	2-10	2 to 10	Addition of special salt via salt supply container (factory setting)

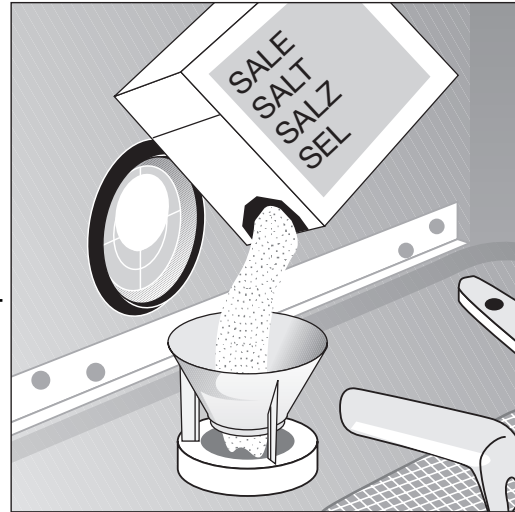
i If the water softener is electronically set at "1" for the purpose of using detergent that includes special salt, the special salt indicator is deactivated.




Adding special salt

If you are using dishwasher detergent and special salt separately, add the special salt:

- Before using the dishwasher for the first time.
- When the indicator for special salt  is illuminated on the control panel.

-  1. Open the door, remove the lower rack.
2. Undo the lid on the salt container by turning it anticlockwise.
3. **Only when using for the first time:** fill the salt container with water.
4. Place the funnel supplied on the container opening.
Fill the container with special salt through the funnel; the capacity of the container is approx. 1.0-1.5 kg depending on the grain size. Do not overfill the salt container with special salt.



-  The water expelled by filling the salt container with special salt runs out of the salt container onto the base of the washing compartment. This is not a cause for concern, the water will be pumped out at the start of the next wash programme.
 5. Clean any salt remnants on the container opening.
 6. Turn the lid clockwise to the stop, otherwise special salt will leak into the wash water, this could lead to poor wash results. To avoid this run a rinse programme after filling the salt container with special salt. This will wash away salt water and any salt crystals that have been spilt.
-  Depending on the size of the salt grains, it can take several hours for the salt to dissolve in the water and the special salt indicator  to extinguish. The setting of the water softener and thus the consumption of salt are dependent on the hardness of the local water.

Rinse aid

Rinse aid ensures that your dishes gleam and are free from spots, and that your glasses are clear.

Rinse aid can be added in one of two ways:

- If you are using dishwasher detergent that already contains rinse aid, the detergent including the rinse aid is put into the detergent compartment.
 - In this case the mode which dispenses rinse aid from the supply container must be **deactivated** to avoid a double dosage.
- If you are using dishwasher detergent and rinse aid separately, the rinse aid is to be put into the rinse aid supply container.
 - In this case the mode which dispenses rinse aid from the supply container must be **activated**.
 - The amount of rinse aid to be dispensed must be set.



Use only branded rinse aid for dishwashers. Never fill the rinse aid container with any other substance (e.g. concentrated vinegar) or dishwasher detergent. This would damage the appliance.

Activating/deactivating the inflow of rinse aid



Some appliances are equipped with an additional **3 in 1** function. If you are using 3-in-1 dishwashing tablets and select the **3 in 1** function together with the wash programme, the inflow of rinse aid does not have to be deactivated (see "**3 in 1** function").



1. Press the ON/OFF button.
The ON/OFF button's LED will illuminate.



If other indicators are also illuminated, this means that a wash programme has been activated. The wash programme must be deselected (RESET):

Press function buttons **2** and **3** simultaneously for approx. 2 seconds. All other indicators will go out.

2. Press function buttons **2** and **3** simultaneously and keep them pressed.
The LED indicators for function buttons 1 to 3 will flash.
3. Press function button **2** again.
The LED indicator for function button **2** will flash.

The →| display will indicate the current setting:

The → indicator is illuminated:	Rinse aid inflow activated (ex-factory setting)
The → indicator is not illuminated:	Inflow of rinse aid is deactivated


4. Pressing function button **2** activates and deactivates the rinse aid dispensing function.
5. If the rinse aid dispensing function has been correctly set, press the ON/OFF switch.
The setting of the rinse aid dispensing function is now saved.

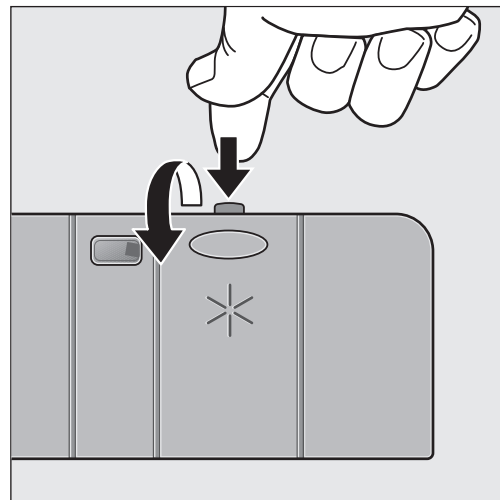
Adding rinse aid

If you are using dishwasher detergent and rinse aid separately, add the rinse aid:

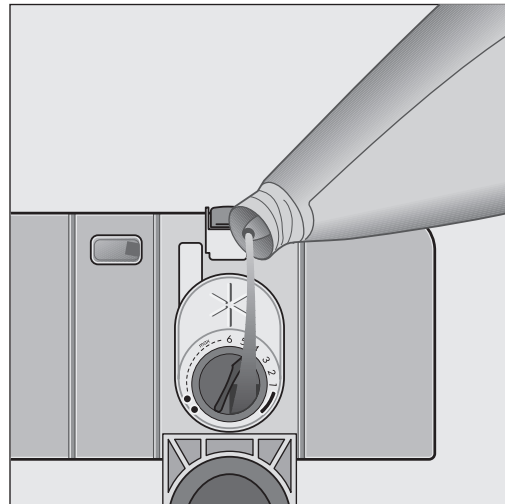
- Prior to using the dishwasher for the first time
- When the ✱ indicator on the control panel is illuminated.

The rinse aid compartment is on the inside of the dishwasher door.

-  1. Open the door.
2. Press the rinse aid compartment release button with your finger.
3. Fully open the rinse aid compartment lid.



4. Fill with rinse aid exactly up to the level marked "max"; this corresponds to a quantity of approx. 140 ml.
5. Close the lid and press until it locks into place.
6. Wipe up any spilt rinse aid with a cloth. Otherwise too much foam will be formed during the wash.

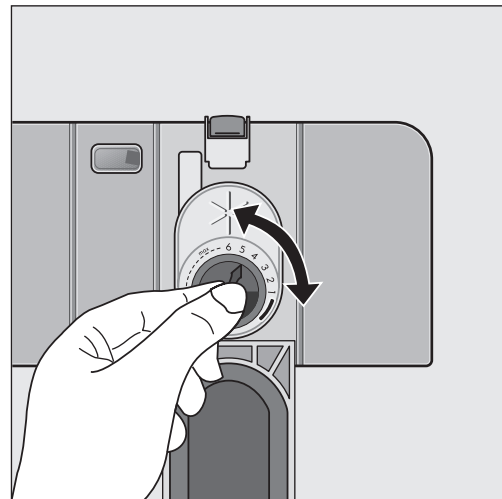


Adjusting Rinse Aid Dosing



As the dishes are washed rinse aid is released from the dispenser into the wash water. The dose is factory set at 4, and can be adjusted from 1 to 6. Only change the setting if streaks, milky spots or dried on water marks are visible on glasses or crockery.

1. Open the door of the dishwasher.
2. Press the rinse aid compartment release button with your finger.
3. Fully open the rinse aid compartment lid.
4. Set the dose level.
5. Close the lid and press until it locks into place.
6. If rinse aid has run out, wipe up with a cloth.



In Daily Use

- Is it necessary to refill with special salt or rinse aid?
- Load cutlery and dishes into the dishwasher
- Fill with dishwasher detergent
- Select a wash programme suitable for the cutlery and dishes
- Start the wash programme

Loading cutlery and dishes



Sponges, household cloths and any object that can absorb water may not be washed in the dishwasher.

For washing in the dishwasher the following cutlery/dishes	
are not suitable:	are of limited suitability:
<ul style="list-style-type: none"> • Cutlery with wooden, horn, china or mother of pearl handles • Plastic items that are not heat resistant • Older cutlery with cement that is not temperature resistant • Bonded cutlery items or dishes • Pewter or copper items • Lead crystal glass • Steel items subject to rusting • Wooden platters • Items made from synthetic fibres 	<ul style="list-style-type: none"> • Only wash stoneware in the dishwasher if it is specifically marked as being dishwasher-safe by the manufacturer. • Glazed patterns may fade if machine washed frequently. • Silver and aluminium parts have a tendency to discolour during washing. Left-overs, e.g. egg white, egg yolk and mustard often cause discolouring and staining on silver. Therefore always clean left-overs from silver immediately, if it is not to be washed straight after use. • Some types of glass can become dull after a large number of washes.

- Before loading the dishes, you should:
 - Remove large left-overs.
 - Soften remnants of burnt food in pans.
- When loading the dishes and cutlery, please note:
 - Dishes and cutlery must not impede the rotation of the spray arms.
 - Load hollow items such as cups, glasses, pans, etc. with the opening downwards so that water cannot collect in the container or a deep base.
 - Dishes and items of cutlery must not lie inside one another, or cover each other


- To avoid damage to glasses, they must not touch
- Do not lay small objects (e.g. lids) in the cutlery rack

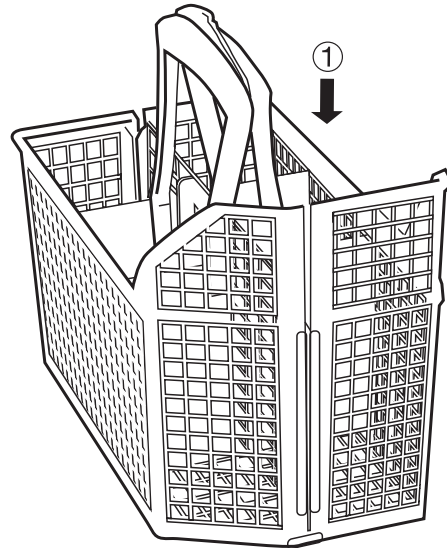
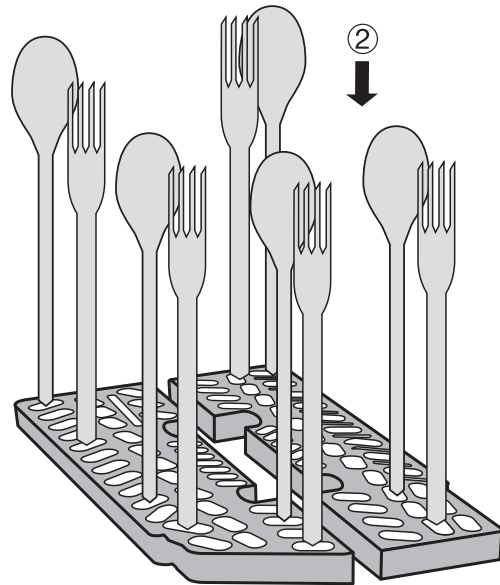
Loading Cutlery



Long, pointed items of cutlery in the cutlery rack are a hazard, particularly to children (see Safety Instructions).

To ensure that all items of cutlery are completely washed, you should


-  1. Place the grid insert on the cutlery rack
2. Place short knives, forks and spoons in the grid insert with their handles pointing downwards.
3. For larger items of cutlery, e.g. a whisk, half of the top for the cutlery basket can be left off.

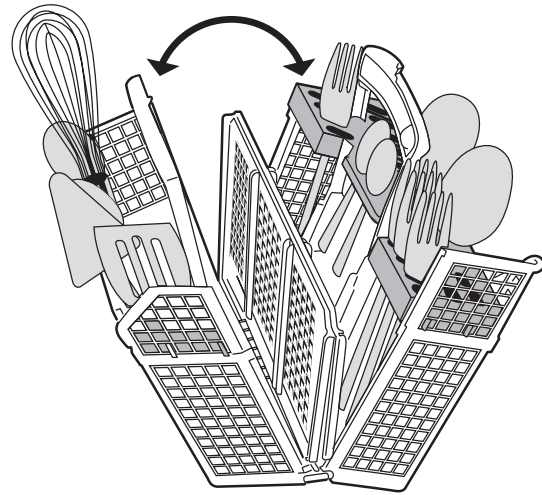


On some models of dishwasher it is possible to open the cutlery basket.



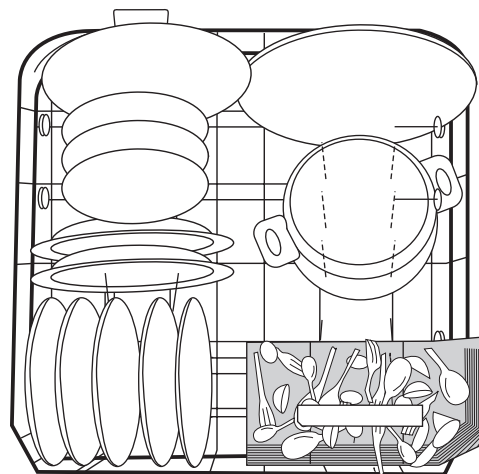
To ensure that the cutlery rack cannot open on removal from the appliance, you should always hold both parts of the two part handle.

-  **1.** Place the cutlery rack on a table or work surface
- 2.** Open the two part handle
- 3.** Remove cutlery
- 4.** Close the two part handle.



Loading Pans, Frying Pans and Large Plates

Load large and heavily soiled dishes in the lower rack (Plates up to 29cm in diameter).



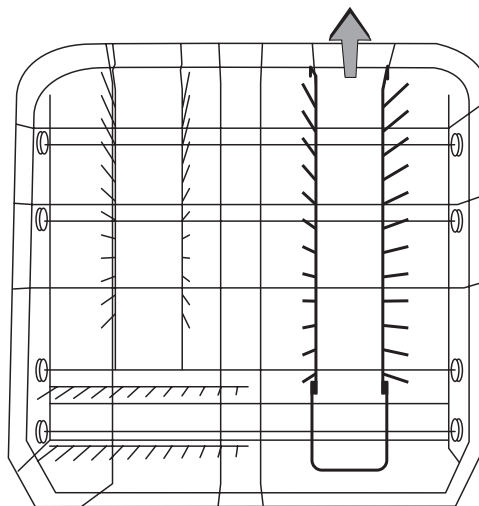
Your dishwasher has one of the following four types of lower rack:

Type 1: None of the plate inserts in the lower rack can be removed

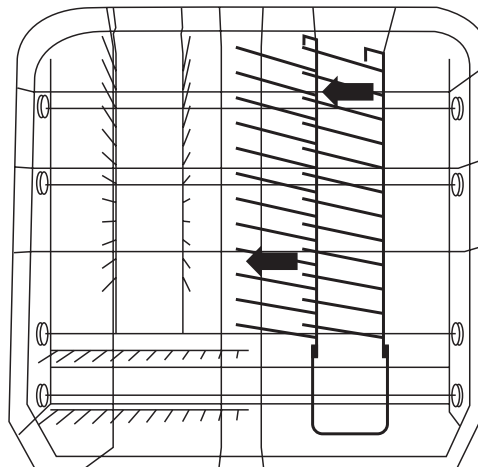
Type 2: The right-hand plate inserts in the lower rack can be folded over to the left

i To ease the loading of large items, the two right-hand plate inserts in the lower rack can be folded over to the left:

1. Slightly lift the right plate insert.

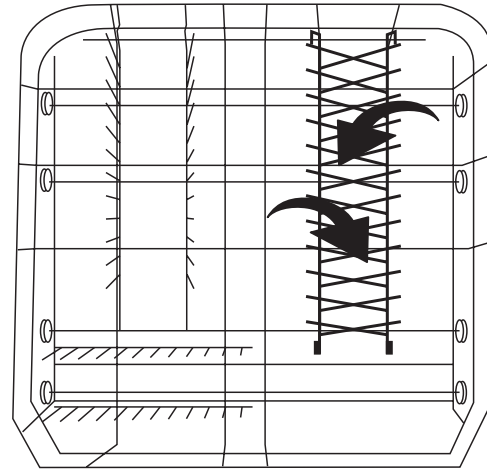


2. Fold the plate insert to the left.

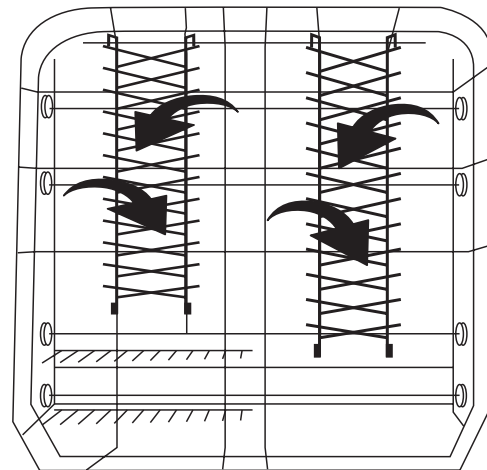


Type 3: The right-hand plate inserts in the lower rack can be folded across one another

- i** To ease the loading of large items, the two right-hand plate inserts in the lower rack can be folded across one another.

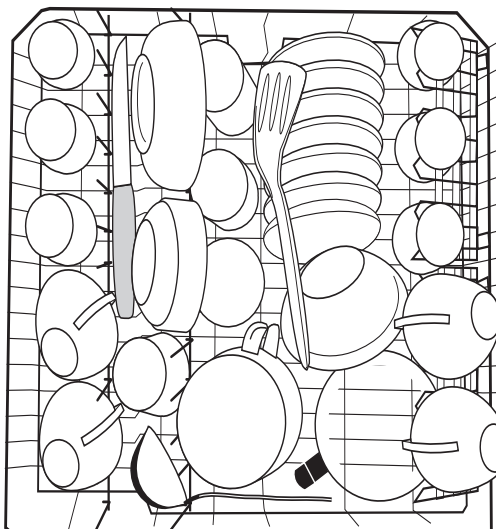
**Type 4: The two rear plate inserts in the lower rack can be folded across one another**

- i** To ease the loading of large items, the two rear plate inserts in the lower rack can be folded across one another.

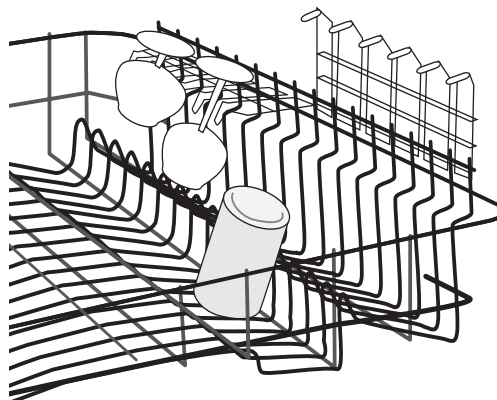


Loading Cups, Glasses and Coffee Services

Load small, delicate items and long pointed cutlery in the upper rack.



- Arrange items of crockery on the folding cups racks so that they are offset from each other and water can reach all items.
- The cup racks can be folded up out of the way for tall items.
- Lay or hang wine, champagne, and brandy glasses in the cut outs on the cup racks.
- Glasses, beakers, etc. can also be placed on the two rows of prongs on the left of the upper rack.



Adjusting the Height of the Upper Basket

	Maximum Height of the Dishes in the	
	Upper Basket	Lower Basketk
With upper basket raised	22 cm	31 cm
With upper basket lowered	24 cm	29 cm

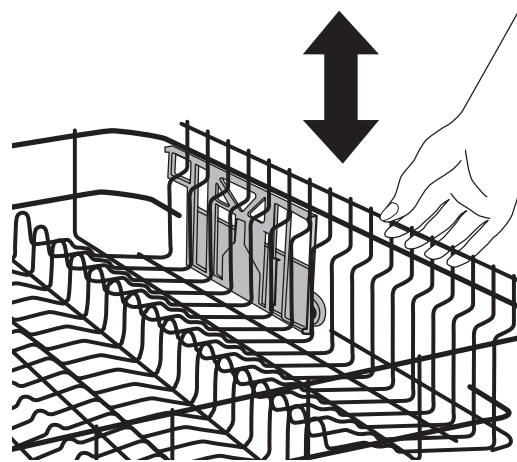
i The height of the basket can also be adjusted when it is loaded.

Lowering the Upper Basket:

- 1.** Pull the upper basket out completely.
- 2.** Holding the upper basket at the rear right, lift it as far as it will go and then lower it vertically. The upper basket will engage in the lower position.

Raising the Upper Basket:

- 1.** Pull the upper basket out completely.
- 2.** Holding the upper basket at the rear right, lift it as far as it will go and then lower it vertically. The upper basket will engage in the higher position.



Filling with Detergent



Only use dishwasher detergent.

Fill with detergent:

– Prior to the start of a wash programme (not for the pre wash programme). The detergent is released into the wash water during the programme.

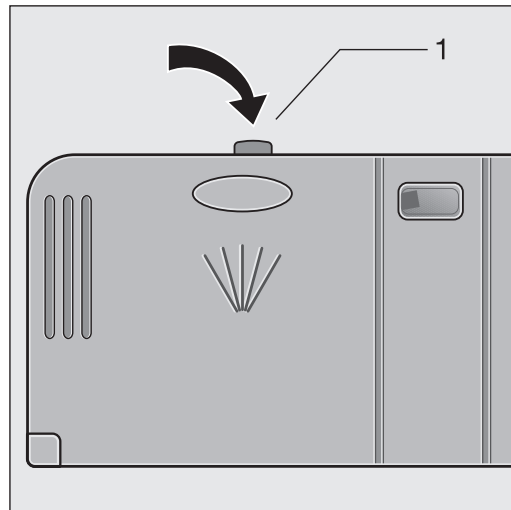


Please observe the manufacturer's dosing and storage recommendations as stated on the detergent packaging.

The detergent compartment is on the inside of the dishwasher door.



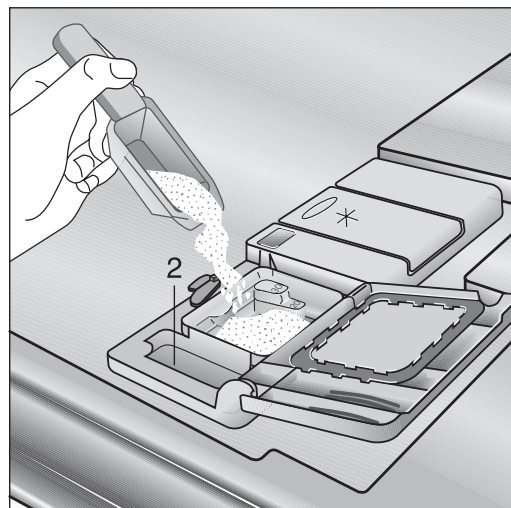
1. If the lid is closed: press release button (1). The lid springs open.



2. Fill the detergent dispenser with detergent. The markings indicate the dosing levels:
"20" corresponds to approx. 20 ml of detergent,
"30" corresponds to approx. 30 ml of detergent.
3. Close the lid and press until it locks into place.




If the dishes are very heavily soiled put additional detergent into the adjacent chamber (2). This detergent will take effect during the pre wash.



Use of "3 in 1"/ Combi Detergent Tablets

General Advice

These products are tablets with combined detergent/rinse-aid and salt functions.

-  1. Before using these products you should first check that the water hardness in your supply is compatible with the use of these products as per the detergent manufacturers instructions (on the product packaging).
2. These products should be strictly used according to the detergent manufacturers instructions.



Do not place the tablets in the tub or the cutlery basket as this will result in poorer wash results. The tablets should be placed in the detergent doser.

3. If you encounter problems when using "3 in 1" products for the first time then please contact the detergent manufacturers care line (the telephone number is given on the product packaging).

Special Advice

When using combination products, the rinse-aid and salt lights are no longer useful. It may be helpful therefore to switch the rinse aid off - please note that only some dishwashers have this facility - and selecting the lowest possible setting for water hardness.

For more information please refer to your instruction manual.

If you decide to switch to the use of a standard detergent system we advise that you:

- Refill both the salt and rinse aid compartments.
- Switch the waterhardness setting to the highest possible position and run for three normal cycles without a load.
- Readjust the waterhardness setting again according to the conditions for your region (as per the instruction manual).

Selecting the Wash Programme (Programme Table)

Choose the most suitable wash programme with the aid of this table:

Type of dishes	Dinner service and cooking utensils			Dessert dishes and coffee service
in addition	-	-	-	with fragile glasses
Type of soiling	<ul style="list-style-type: none"> heavily soiled dried on left-overs, particularly egg white and thickeners 	<ul style="list-style-type: none"> normally soiled 	<ul style="list-style-type: none"> normally soiled 	<ul style="list-style-type: none"> lightly soiled
		particularly suited to the use of concentrated detergents.		
	↓	↓	↓	↓
Suitable wash programme:	INTENSIV 65°C	NORMAL 50 °C	ECO 50 °C ^{3) 4)}	QUICK 50 °C
Programme sequence ¹⁾	Pre wash Main wash 2x Intermediate rinses Final rinse Drying	Pre wash Main wash Intermediate rinse Final rinse Drying	Pre wash Main wash Intermediate rinse Final rinse Drying	- Main wash Intermediate rinse Final rinse -
Consumption levels: ²⁾	↓	↓	↓	↓
Duration	110 - 120 min.	85 - 95 min.	120 - 130 min.	50 min.
Energy	1,75 - 1,95 kWh	1,10 - 1,20 kWh	0,95 - 1,05 kWh	1,15 kWh
Water	22 - 24 litres	14 - 16 litres	13 - 15 litres	12 litres


¹⁾ The noise level varies during different stages of the wash programme as at some stages the dishes are washed more energetically for a short period for better cleaning.


²⁾ The consumption levels were tested under standardised conditions. They are dependent on how the racks are loaded. In practice, therefore, variations from these figures are possible.

³⁾ Test programme


⁴⁾ The "ECO 50°" wash programme washes normally soiled dishes with a very low electricity consumption. If the dishes need to be washed more quickly, as an alternative you can use the "NORMAL 50°" wash programme.

Starting a wash programme


-  **1.** Check that the dishes and cutlery are stacked in the dishwasher in such a way that the spray arms are free to rotate.
- 2.** Turn on the tap fully.
- 3.** Close the door.
- 4.** Press the ON/OFF button.
The LED in the ON/OFF button will illuminate.
- 5.** Press the relevant button for the programme required (see "Programme Table").
The programme display will illuminate. One or two lights will flash in the programme progress display.
The selected programme will begin after approximately 3 seconds.

 If →| flashes in the programme progress display after the programme has started, please read the section "What to do if...".


Changing / interrupting / cancelling a wash programme

 Only change or interrupt a wash programme that is in progress if it is absolutely necessary. After the appliance has been closed again, the air that has entered will be heated significantly and expand. As a result, water may collect in the base of the appliance and trigger the anti-flood system.

Changing a wash programme

 If you would like to change the wash programme in the first 3 seconds after having selected a programme, briefly press the button for the new wash programme.


If you would like to change the wash programme after this time, proceed as follows:

-  **1.** Press the button for the new wash programme and hold it down.
First, the indicator for the wash programme that is currently running will flash.
After several seconds only the indicator for the new wash programme will be illuminated.
- 2.** Release the programme button.
The newly selected wash programme will begin.


Interrupting the wash programme by opening the dishwasher door



Hot steam may escape when the door is opened. There is a risk of scalding. Open the door carefully.

-  1. Open the door of the dishwasher.
The wash programme will stop.
2. Close the door.
The wash programme will continue.

Cancelling the wash programme (RESET)

-  1. Press function buttons **2** and **3** and keep them pressed.
The programme display for the current wash programme will flash for several seconds and then go out.
2. Release the function buttons.
The wash programme has been cancelled.





Turning off the dishwasher will only interrupt a selected wash programme, not cancel it. The wash programme will recommence after turning the dishwasher back on again.

Setting or changing the start delay

Using the start delay you can set whether a wash programme is to begin in 3, 6 or 9 hours.

Setting the start delay:

-  1. Press the ON/OFF button.
2. Continue pressing the Start Delay  button until the indicator next to the number of hours until the wash programme starts is illuminated.
3. Press the button for the desired wash programme.
The LED indicator for the programme selected and the indicator next to the number of hours will illuminate.
The wash programme will start automatically following a countdown of the hours set.

Changing the start delay:


As long as the wash programme has not yet started, you can change the start delay set by pressing the Start Delay button.

Cancelling the start delay:

As long as the wash programme has not yet started, you can cancel the start delay. Continue pressing the Start Delay button until none of the three time displays are illuminated. The selected wash programme will begin immediately after the dishwasher door has been closed.

Changing the wash programme after the start delay has been set:

As long as the wash programme has not yet started, you are able to change the start delay set by pressing a wash programme button.


-  **1.** Press the button for the new wash programme and hold it down.
First, the indicator for the wash programme that was already selected will flash.
After several seconds only the indicator for the new wash programme will be illuminated.
- 2.** Release the programme button.
The wash programme will start automatically following a countdown of the hours set.

Load Sensing – Sensor Logic

If a wash programme is started even though there are only a few dishes in the upper and/or lower rack, an intelligent electronic system adjusts the amount of water and the duration of the wash programme to the number of dishes. By this means it is possible to wash only a few dishes quickly and economically. At half load (6 place settings), up to 2 litres of water and 0.2 kWh of electricity are saved.

Switching Off the Dishwasher

Only switch off the dishwasher when →| is illuminated on the programme progress display.

-  **1.** Press the ON/OFF button.
The ON/OFF button indicator extinguishes.



Hot steam may escape from the appliance when opening the door immediately after the end of the programme. Therefore:

- 2.** Open the door carefully.

Emptying the Dishwasher

- Hot dishes are sensitive to knocks. The dishes should therefore be allowed to cool down before removing them from the appliance.
- Leave the dishes in the dishwasher for approx. 15 minutes after the end of the programme so that they dry better and can cool down.
- First empty the lower rack, and then the upper rack. By using this procedure you will avoid any water that may be remaining in the upper rack, dripping onto the dishes in the lower rack and leaving water marks.

Care and Cleaning



Do not under any circumstances use furniture care products or aggressive cleaners.

- If necessary, clean the controls only with a soft cloth and pure warm water.
- Occasionally check the internal containers, door seal, and water inlet for soiling, clean if necessary.

Cleaning the Filter

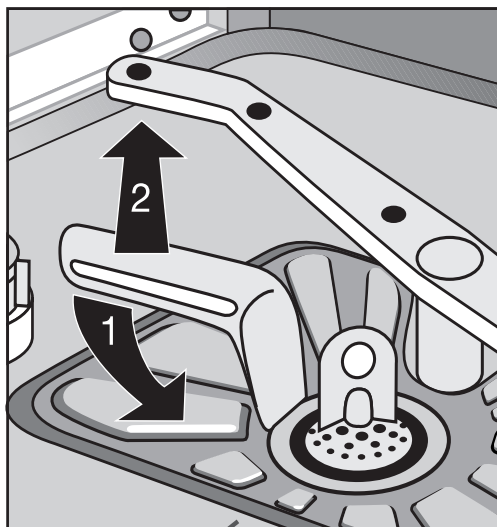


The filters in the base of the washing compartment are to a large extent self-cleaning.

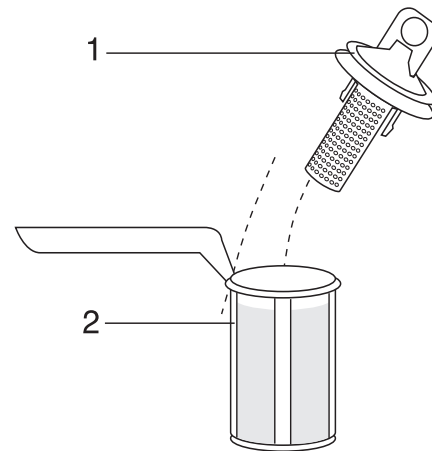
Nevertheless the filters should be checked and cleaned from time to time. Dirty filters will degrade the washing result.



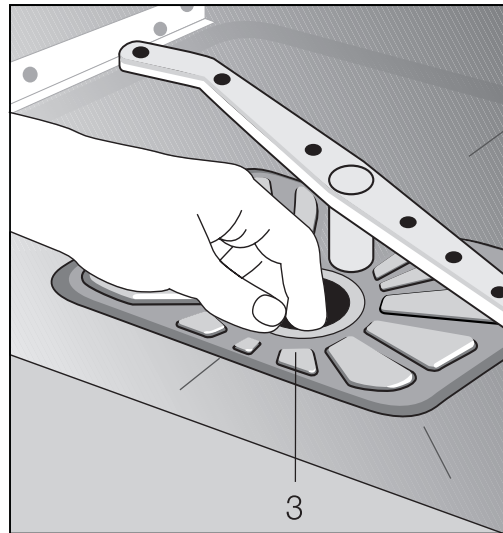
1. Open the door, remove the lower rack.
2. The dishwasher filter system comprises a coarse/fine filter, microfilter and a flat filter. Unlock the filter system using the handle on the microfilter, and remove.
3. Turn the handle about $\frac{1}{4}$ a turn anti-clockwise and remove.



4. Take hold of the coarse/fine filter (1) by the handle with the hole and remove from the microfilter (2)
5. Clean all filters thoroughly under running water.
6. Remove the flat filter (3) from the base of the washing compartment and clean both faces thoroughly



7. Put the flat filter back in the base of the washing compartment
8. Place the coarse/fine filter in the microfilter and press together.
9. Put the filter combination in place and lock by turning the handle clockwise to the stop. During this process ensure that the flat filter does not protrude above the base of the washing compartment.



Under no circumstances may the dishwasher be used without filters.

What to do, when ...

Try to rectify minor faults on the dishwasher with the aid of the instructions given here. If you call in customer service to resolve one of the malfunctions listed here, or rectify an error made in the operation of the appliance, the customer service engineer's visit is not free of charge, even during the period of guarantee.

...Error messages are displayed.

If any of the indicators in the control panel, as listed in the table below, are flashing or are illuminated, you can probably rectify the fault yourself.

Malfunction	Possible cause	Remedy
The programme indicator for the selected wash programme is flashing; the end wash programme indicator is flashing in the following rhythm: 1 short flash with approx. 3 seconds pause in between: There is no water entering the dishwasher.	The tap is blocked or furred with lime-scale	Clean the tap
	The tap is turned off.	Turn the tap on.
	The filter (where present) in the threaded hose fitting on the tap is blocked.	Clean the filter in the threaded hose fitting.
	Filters in the base of the washing compartment are blocked.	Press the button for the wash programme that had already started; then cancel the wash programme by pressing RESET (see chapter: Starting a wash programme); Clean out the filters. (See chapter: Cleaning the filters)
	The water inlet hose has not been correctly laid.	Check hose installation.

Malfunction	Possible cause	Remedy
The programme indicator for the selected wash programme is flashing, the end wash programme indicator is flashing in the following rhythm: 2 short flashes one after the other.	The siphon is blocked.	Clean out siphon.
	The water drain hose has not been correctly laid.	Check hose installation.
The end wash programme indicator is flashing in the following rhythm: 3 short flashes, one after the other.	The leak prevention system has been triggered.	Turn off the tap and contact customer service.

After remedying the error that is flashing in the **first or second rhythm** in the programme progress display, press the button for the wash programme that had already started. The wash programme will continue.

If the fault is displayed again, please contact customer service.



For all other errors displayed, please contact customer service, stating the error code. (See chapter "Customer Service").

...problems occur during use of the dishwasher.

Malfunction	Possible Cause	Remedy
The programme does not start.	The door of the dishwasher is not closed properly.	Shut the door.
	Mains plug is not plugged in.	Insert mains plug.
	House fuse is defective.	Replace fuse.
	In the case of dishwasher models with start delay timer: A start delay is selected.	If dishes are to be washed immediately cancel delay start timer.
Rust spots are visible in the washing compartment.	The washing compartment is made from rust-free stainless steel. Rust spots in the washing compartment are due to rust particles from external sources (rust particles from water pipes, pans, cutlery, etc.). Remove such spots with one of the stainless steel cleaners that are generally available on the market.	Only wash cutlery and dishes that are suitable for dishwasher use.
		Close the lid of the special salt container securely.
There is a whistling noise during washing.	The whistling is not a cause for concern.	Use a different brand of detergent.

...the wash results are not satisfactory.

The dishes are still dirty.

- The wrong wash programme was selected.
- The dishes were loaded in such a way that the wash water did not reach all items. The racks for the dishes must not be overloaded.
- The filter in the base of the washing compartment is dirty or incorrectly positioned.
- Detergent was not used or too little was used.
- In the case of scale deposits on the dishes: The special salt container is empty or the water softener is incorrectly adjusted.
- The drain hose is incorrectly laid.

The dishes are wet and dull.

- Rinse aid was not used.
- The rinse aid container is empty.

There are streaks, milky spots or a bluish coating on glasses and dishes.

– Lower rinse aid dosing.

There are dried water drops on the glasses and dishes.

– Increase rinse aid dosing.

– The detergent may be the cause. Contact the detergent manufacturer's customer advisor.

Technical Data

Capacity:	12 place settings including serving dishes
Permitted Water Pressure:	1-10 bar (=10-100 N/cm ² = 0.1-1.0 MPa)
Electrical Connection:	Information on the electrical connection is given on the rating plate on the inner edge of the dishwasher door on the right.
Dishwasher: Free-Standing Appliances	
Dimensions:	850 x 600 x 600 (H x W x D in mm)
Max. Weight:	54 Kg
Dishwashers that Can Be Integrated, Built-In Dishwashers	
Dimensions:	820 – 880 x 596 x 570 (H x W x D in mm)
Max. Weight:	50 Kg
Dishwashers that Can Be Fully Integrated	
Dimensions:	820 – 880 x 596 x 546 – 550 (H x W x D in mm)
Max. Weight:	50 Kg

CE This appliance conforms with the following EU Directives:

– 73/23/EEG dated 19. 02. 1973 – Low Voltage Directive

– 89/336/EEG dated 03. 05. 1989

(including Directive Amendment 92/31/EEG) – EMC Directive

Notes for Test Institutes

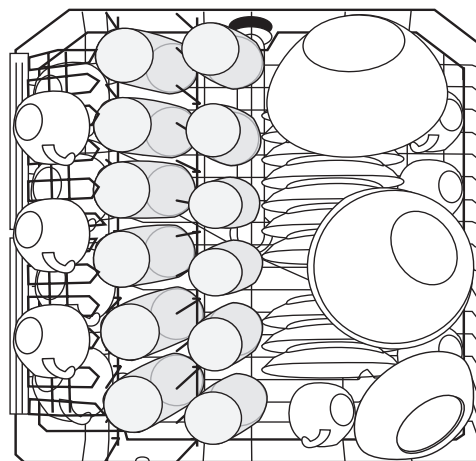
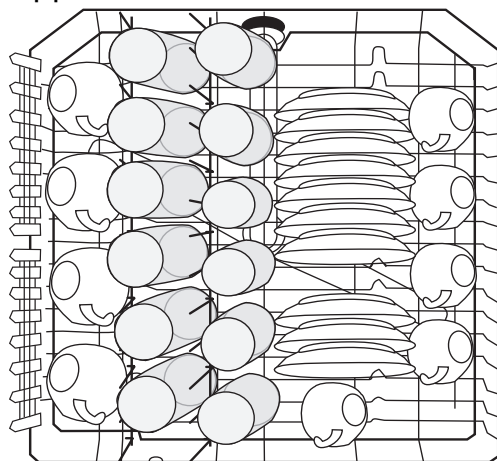
Testing in accordance with EN 60704 must be carried out with the appliance fully loaded and using the test programme (see Programme Table).

Tests in accordance with EN 50242 must be carried out when the salt dispenser and rinse aid container have been filled with salt and rinse aid respectively and using the test programme (see Programme Table).

	Full Load: 12 place settings incl. serving dishes	Half Load: 6 place settings incl. serving dishes, leaving alternate positions free
Detergent Dosing:	5g + 25g (Type B)	20g (Type B)
Rinse Aid Setting:	4 (Type III)	4 (Type III)

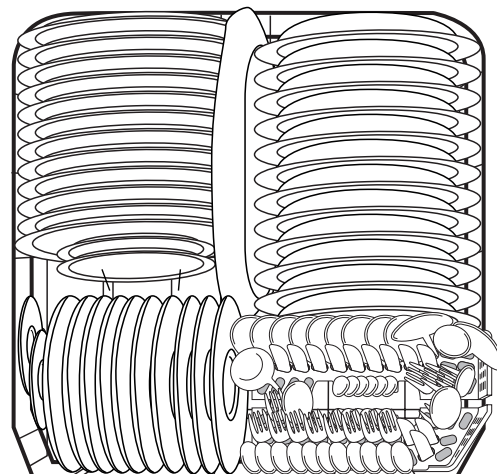
Sample loading arrangements:

Upper basket *

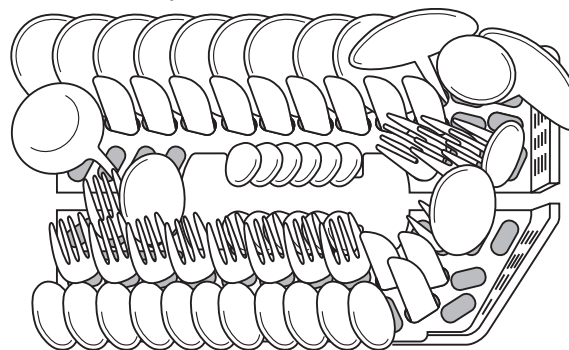


* If necessary, move the cup rest from right to left. When doing this, ensure that the cup rest is at the same height.

Lower basket with cutlery basket



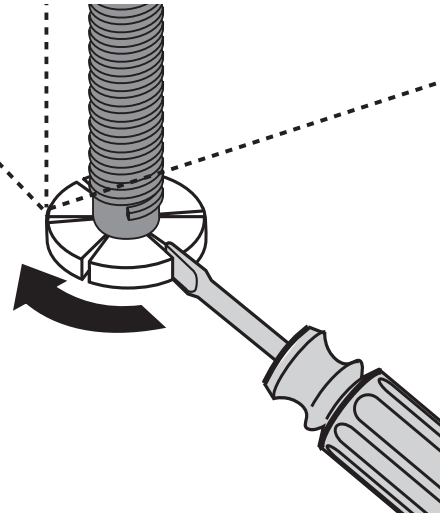
Cutlery basket



INSTALLATION AND CONNECTION INSTRUCTIONS

Installing the Dishwasher

- The dishwasher must be installed on a firm floor and adjusted to ensure that it is stable and level.
- To compensate for unevenness in the floor and to match the height of the appliance to that of surrounding units extend the threaded feet by unscrewing:
 - use a screwdriver.



- For built-in dishwashers the rear feet should be adjusted from the front of the appliance using a screwdriver.
- The drain hose, inlet hose and mains cable must not be kinked or crushed when the dishwasher is in position.

Built-In Dishwasher

(see enclosed installation instructions)


Free-Standing Appliances

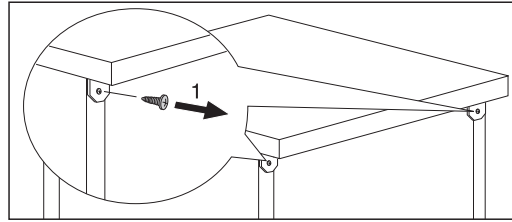
can be set up as stand-alone without additional installation.



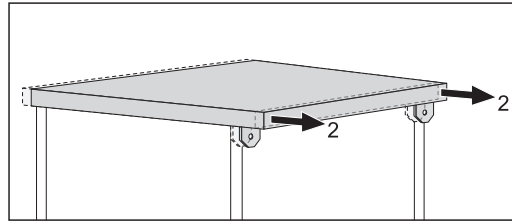
If the dishwasher is set up next to a gas or coal cooker, a heat-insulating, non-flammable plate must be mounted between the dishwasher and the cooker, flush to the top edge of the work surface (depth 57.5 cm). The plate should have aluminium foil on the side facing the cooker.

If the dishwasher is installed underneath a kitchen work surface, the original work surface of the dishwasher is to be removed as follows:

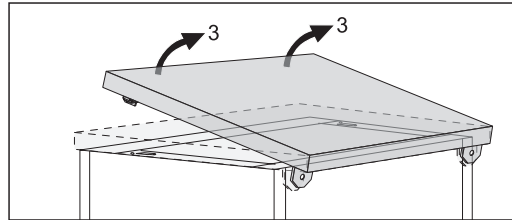
-  **1.** Unscrew the screws from the positioning plates on the back (1).



- 2.** Slide the appliance's work surface approx. 1 cm to the rear (2).



- 3.** Lift the work surface at the front (3) and remove.



If the dishwasher is later used as a free-standing appliance, the original work surface must be re-mounted.



The plinth on free-standing appliances is not adjustable.

Connecting the Dishwasher

Water Connection

The dishwasher is fitted with safety devices that prevent the wash water returning into the drinking water system and comply with the applicable plumbing regulations.

- The dishwasher can be connected to cold and hot water supplies up to max. 60 °C.
- The dishwasher **must not** be connected to open hot water appliances or instantaneous water heaters.

Permitted water pressure

Lowest permitted water pressure: 1 bar (=10 N/cm ² =100 kPa)	Consult your installer if the water pressure is less than 1 bar.
Highest permitted water pressure: 10 bar (=100 N/cm ² =1 MPa)	In the case of a water pressure greater than 10 bar, a pressure reduction valve must be used (available from your dealer).

Connect the inlet hose



The water inlet hose must not be kinked, crushed or entangled when it is being connected up.



Connect the threaded hose fitting (ISO 228-1:2000) on the water inlet hose to a tap with an external thread (¾ inch). The inlet hose is equipped either with a plastic or with a metal connection nut:

- **Tighten plastic** hose connection nuts **by hand** only.
- **Metal** hose connection nuts **must be tightened using an appropriate tool**. Finally, visually check that it is water-tight (ensure that the tap is not dripping).



- In order that access to the tap in the kitchen is not limited by the use of the dishwasher, we recommend the installation of an additional tap, or fitting a two way adapter to the existing tap.
- If you need a longer water inlet hose than that supplied, VDE approved complete hose sets are to be used. These are available from your local Service Force Centre.



The following section is only applicable to dishwashers that have a safety valve on the threaded hose fitting for the tap:

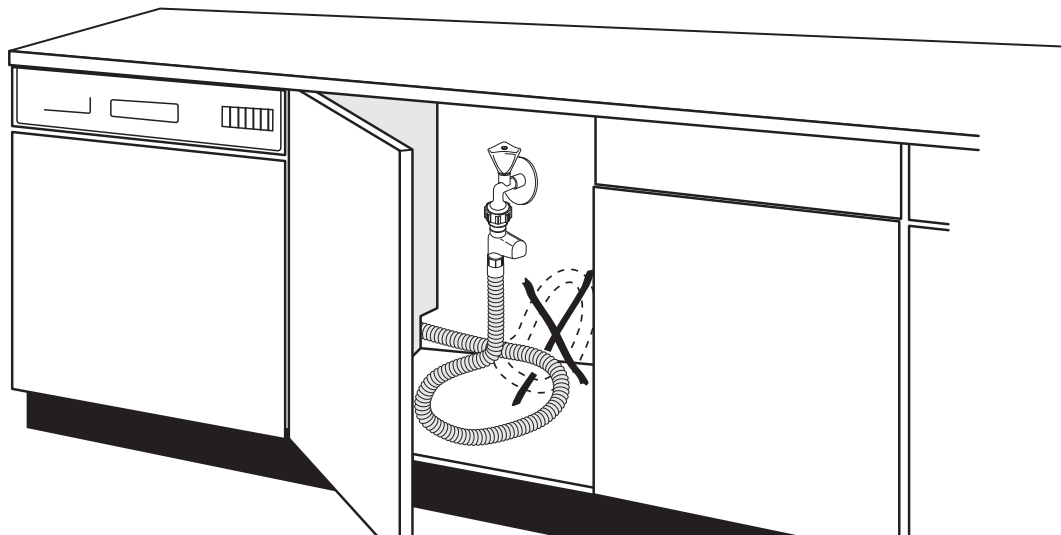
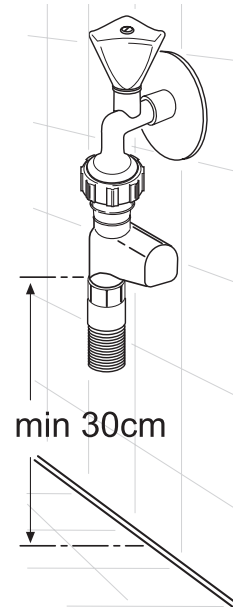
Water inlet hose with safety valve

After connecting the double-walled water inlet hose, the safety valve is next to the tap. Therefore the water inlet hose is only under pressure while the water is running. If the water inlet hose starts to leak during this operation, the safety valve cuts off the running water and the draining pump in the dishwasher is switched on.



Please take care when installing the water inlet hose:

- The distance between the bottom edge of the safety valve and the floor on which the dishwasher is standing must be at least 30 cm:
- The electrical cable for the safety valve is in the double-walled water inlet hose. Do not immerse the water inlet hose or the safety valve in water.
- If the water inlet hose or the safety valve is damaged, remove the mains plug immediately.
- A water inlet hose with safety valve must only be replaced by a specialist or Customer Services.
- Place the water inlet hose in such a way that it is never higher than the bottom edge of the safety valve.



Water drain

Drain hose

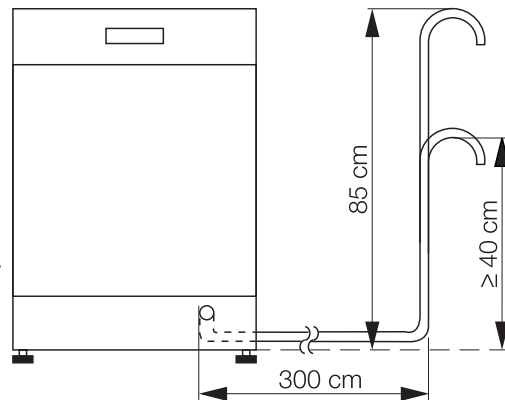


The drain hose must not be kinked, crushed or entangled.

- Connecting the drain hose:
 - Maximum permitted height: 1 metre.
 - Minimum required height 40 cm above the lower edge of the machine.

Extension hoses

- Extension hoses are available from your dealer or customer service. The internal diameter of the extension hoses must be 19 mm to ensure that the function of the appliance is not impeded.
- Extension hoses may be laid a maximum of 3 metres horizontally; the maximum permitted height for the connection for the drain hose is then 85 cm.



Sink outlet connection

- The outlet of the drain hose (\varnothing 19 mm) fits all commonly available sink outlet spigot types. The outer diameter of the spigot connection must be at least 15 mm.
- The drain hose must be fixed to the sink outlet connection using the hose clamp supplied.

If the dishwasher is fitted at a high position

If the dishwasher is installed at a high level, and the drain hose connection is less than 30 cm from the bottom of the appliance, adapter kit ET 111099520 must be fitted. This is available from Customer Service.

Water drain into wash basins (only possible with free-standing appliances)

In the case that you wish to hang the drain hose in a wash basin, use a detachable hose elbow. You can obtain this from AEG customer service under spare part number ET 646 069 190.

1. Fit the elbow to the drain hose.
2. Secure the drain hose against sliding off the edge of the wash basin. Pass a piece of cord through the hose elbow and fix it to the wall or the tap.

Leak Prevention System

For protection from damage due to water leaks, the dishwasher is equipped with a leak prevention system, the AQUA CONTROL SYSTEM. In the event of a fault, the safety valve in the appliance immediately interrupts the inflow of water and the drain pump is activated. By this means water can neither escape nor overflow. The remaining water in the appliance is automatically pumped out.



The leak prevention system also works when the appliance is switched off.

Electrical connection



In compliance with electric company technical requirements for mains connections, hard-wired connections to the mains may only be made by approved electricians.

When connecting the appliance, observe the German VDE regulations and, if applicable, any additional conditions required by your local electricity supplier. Following installation, live parts and live insulated wiring must not be accessible using a finger test in accordance with EN 60335/DIN VDE 0700.

Information on the electrical connection can be found on the rating plate on the right side of the inner edge of the dishwasher door. If the appliance has a change-over switch, the additional instructions on the change-over diagram in the mains connector box must be observed.

Prior to connecting ensure that the mains voltage and current rating at the site of installation match the nominal voltage and current rating given on the rating plate. The required fuse protection is also to be found on the rating plate.

To isolate the dishwasher from the mains, remove the mains plug.

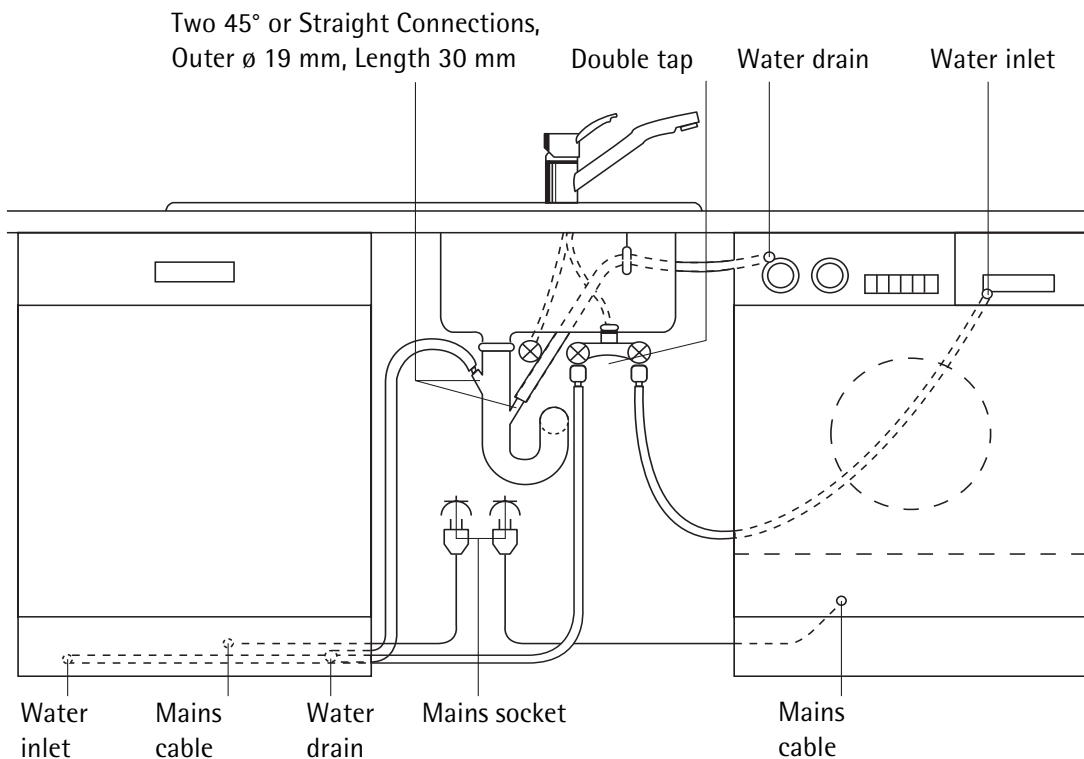
Important: The plug must still be accessible after the appliance has been installed.

If the appliance is hard-wired to the mains supply, then it must be safely isolated from the mains within the electrical installation with switches intended to ensure **all-pole(N,L1)** disconnection, shall be directly connected to the supply terminals and shall have a contact separation (fuses, cut outs, current trips or similar) of at least 3mm in each pole.

Connections

The water inlet and drain hoses, as well as the mains cable must be connected beside the dishwasher as there is insufficient space behind the appliance.

The plumbing and electrical installation example given below can only be regarded as a recommendation; the actual situation where the dishwasher is to be installed will define the exact installation (available connections, local electricity and water board regulations for connecting up appliances, etc.).



SERVICE DEPARTMENTS

U.A.E. Abu Dhabi

Universal Trading Company
P.O. Box 43 99
Tel.: 335331

Egypt

Middle East Commercial
Center
P.O. Box 19
Kairo-Heliopolis
Tel.: 29917/31634

Australia

ANDI-Co Pty. Ltd
9 Kingston Town Close
Oakleigh VIC 3166
Tel.: (03) 9569 1235
Fax: (03) 9569 1450

Bahrain/Arabian Gulf

A.A. Zayani & Sons
P.O. Box 9 32
Bahrain
Tel.: 261060

Bulgaria

Electrolux Bulgaria E.O.O.D.
91 Levski Blvd.
1000 Sofia
Tel.: 2 806676
Fax. 2 980 5276

Cyprus

Hadjikyrlakos & Sons Ltd.
Prodromou 121
P.O. Box 21587
Nicosia 1511
Service Telephones:
Nicosia 02 481226
Limassol 05 562182
Larnaca 04 633929
Paphos 06 932 699

Jordan

Jordan Household
Supply Co. Ltd.
P.O. Box 3/68
Amman/Tel.: 69 70 50

Kanada

EURO-LINE Appliances
2150 Winston PARK Drive 20
Oakville, Ontario L6H 5V1
Tel.: 905 829 3980
Fax: 905 829 3985

Korea (South)

Core Incorp.
3/F Chewoo Bldg.
200 Nonhyun-Dong
Kangnam-Ku
Seoul
Telefon 82 2 549 89 61

Croatia

Electrolux D.O.O.
Suplova 7
10000 Zagreb
Tel.: 1 61 19512
Fax: 1 61 19513

Kuwait/Arabian Gulf

Ali Al-Ghanim Est.
P.O. Box 10 83
Tel.: 5322463
Fax: 5242114

Lebanon

Adib & Assaferi
P.O. Box 539
Tripoli

Malta

ITC
International Trading Com-
pany
White House Building
Mountbatte Street
Blata L-Bajda/Tel.: 220644

Mauritius

Happy World Centre Ltd.
P.O. 7 54
1 Chausee Street
Port Louis
Tel.: 25355

Namibia

AEG NAMIBIA (PTY) LIM-
ITED-Jeppe Street
Northern Industrial Area
Windhoek
Tel.: (061) 21-6082/4
Fax: (061) 217838

New Zealand

Euro-Life New Zealand Ltd.
Privat Bag
58 Symonds Street
Auckland
Tel.: (09) 525 2222

Nouvelle Caledonie

Socometra N.C.
B.P. 483
Nouman
Tel.: 275444

Oman

Moshin Haider Darwish
P.O. Box 1 35
Muscat
Tel.: 703743

Estonia

Electrolux Estonia Ltd.
Mustamäe tee 24
EE0006 Tallinn
Tel.: (372) 6 650 090
Fax: (372) 6 650 092

Hongkong

Wo Kee Services Ltd.
585-609 Castle Peak Road
Kwai Chung N.T.
Hongkong
Tel.: 2494 4000

Israel

Electricity & Electronic
Services-Evis LTD.
19 Hataasia st.
Raanana, Industrial area 43654
Tel: 972-9-7448118
Fax: 972-9-7603618
e-mail: evis@evis.co.il

Japan

Electrolux Japan Ltd.
Domestic Appliances Department
Maruzen Showa Warehouse Building
Tookai 4-5-12, Ota-ku
143-006 Tokyo
Tel.: 0120-13-7117
Fax: 03-3790-5257

Thailand

OLYMPIA Thai Ltd.
44 Ratchadapisek Road
10320 Bangkok
Tel.: 2 513 6111
Fax: 2 513 2574

Hungary

Electrolux Lehel KFT
(AEG Div)
Erzsébet Királyné útja 87.
1142 Budapest
Tel.: 00361/467-3200

Latavia

Electrolux Latavia Ltd.
Terlaton Street 42/44
1011 Riga
Tel.: 371 2 297821
Fax: 371 2 821286

Lthuania

Electrolux Lthuania
Verkui 29
2600 Vilnus
Tel.: 372 272 3326
Fax: 372 272 3366

Malaysia

Arzbergh Engineering
No. 49A/B, Jalan Petaling Utama
7
4600 Petaling Jaya
Tel.: 3 795 1084
Fax: 3 795 1082

Singapore

Arzbergh Engineering
19 Tanglin Road 06-07
Singapore 247909
Tel.: 65 7356572
Fax: 7351124

Slovakia Rep.

Electrolux Slovakia S.R.O.
Seberiniho 1
821 03 Bratislava
Tel.: 02 4333 4322, 4355
Fax: 02 4333 6976

USA

ANDI Co. Appl. Inc. East
65 Campus Plaza
Edison, New Jersey 0837
USA/Tel.: (201) 2258839

Poland

Electrolux Poland Sp. zo.o.
ul. Domaniewska 41
02-034 Warszawa
tel.: 022 874 33 33
fax: 022 874 33 00

Russia

Electrolux Russia Ltd.
16 Olympiysky prospekt
129090 Moscow
Tel.: (095) 937 7837
Fax: (095) 926 5513

Saudi Arabia

Alia Trading Corporation
P.O. Box 4101
King Abdul Aziz Street
Riyadh
Tel.: 4645977
Al Nahas Est.
Musaidia Market I
P.O. Box 1 15 29
Jeddah
Tel.: 6606852

Slovenia

Electrolux Slovenia D.O.O.
Traska Ul. 132
1000 Ljubljana
Tel.: 61 1234 137
Fax: 61 1234 238

South Africa

AEG (Pty) Ltd.
55, 12th Road
P.O. Box 1 02 64
Kew/Johannesburg 2000
Tel.: 8069111

Syria

Masri & Shami
P.O. Box 24 96
Damascus
Tel.: 214080

GUARANTEE CONDITIONS

Weitere Kundendienststellen im Ausland

In diesen Ländern gelten die Garantiebedingungen der örtlichen Partner. Diese können dort eingesehen werden.

Further after-sales service agencies overseas

In these countries our AEG agents' own guarantee conditions are applicable. Please obtain further details direct.

Autres agences étrangères assurant le service après-vente

Dans ces pays, les conditions de garantie des concessionnaires de la région sont valables. Vous pouvez les consulter sur place.

Otros puntos de Postventa en el extranjero

En estos países rigen las condiciones de nuestros representantes locales, las cuales pueden ser consultadas allí mismo.

Ulteriori uffici del servizio tecnico assistenza clienti all'estero

In questi paesi sono valide le condizioni di garanzia dei partner locali. Queste condizioni possono essere esaminate sul luogo.

Serviços de assistência técnica no estrangeiro

Nestes países são válidas as condições de garantia dos concessionários locais, podendo aí ser consultadas.

További vevőszolgálati irodák külföldön

Ezekben az országokban a mi AEG vevőszolgálatainknál saját jótállási feltételek alkalmazhatók. A további adatokat kérjük közvetlenül megszerezék be.

Servisne službe

Na garancijskem listu boste našli seznam pooblaščenih servisnih služb AEG.

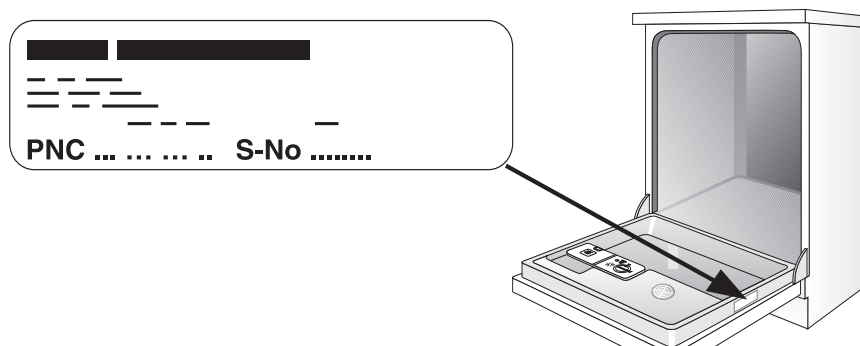
SERVICE

In the section "What to do, if..." the most important sources of faults that you can rectify yourself are summarised.

If, nevertheless, you call in customer service to resolve a problem listed in these instructions, or because of an error made in operating the appliance, the customer service engineer's visit is not free of charge, even during the warranty period.

If you can not find any information on a specific malfunction in these operating instructions, please contact customer service.

Please provide customer service the PNC number and the S No. (serial number), you can find these on the rating plate. The plate is on the inner edge of the door on the right.



So that you always have these numbers at hand, we recommend you to make a note of them here:

PNC :

S-No. :

 **From the Electrolux Group. The world's No.1 choice.**

The Electrolux Group is the world's largest producer of powered appliances for kitchen, cleaning and outdoor use. More than 55 million Electrolux Group products (such as refrigerators, cookers, washing machines, vacuum cleaners, chain saws and lawn mowers) are sold each year to a value of approx. USD 14 billion in more than 150 countries around the world.

AEG Hausgeräte GmbH
Postfach 1036
D-90327 Nürnberg

<http://www.aeg.hausgeraete.de>

© Copyright by AEG

822 960 903 -00- 0603

Subject to change without notice